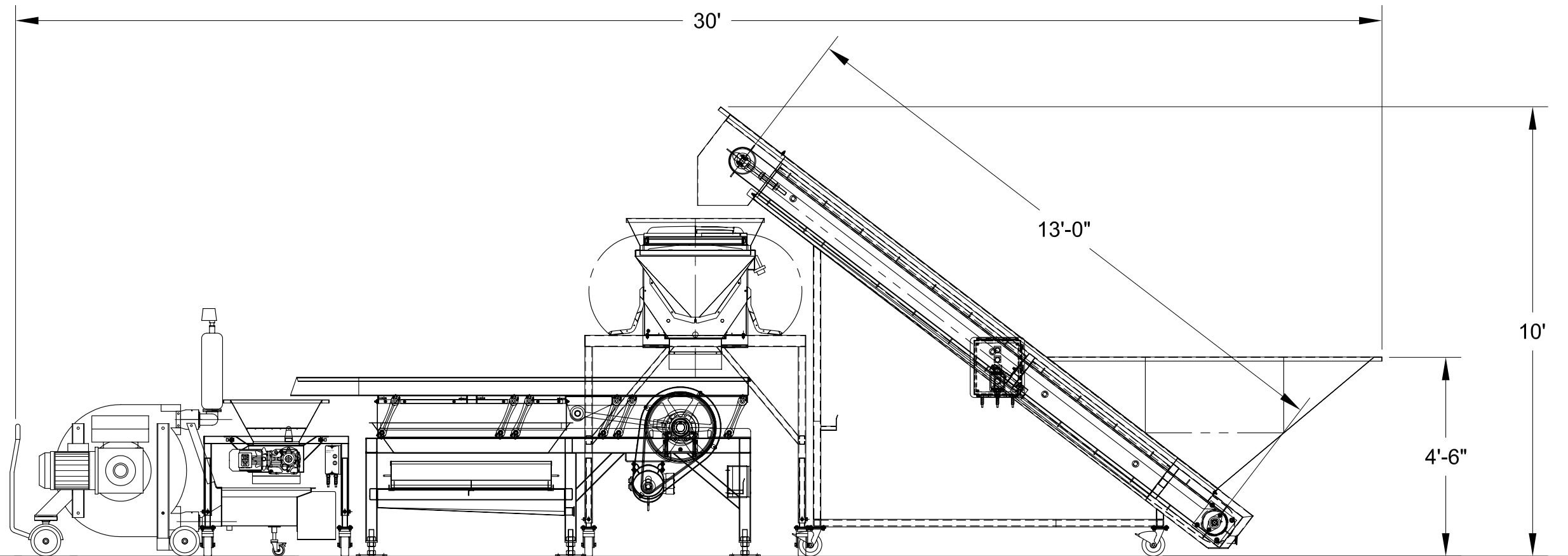


SALES LAYOUT

ITEM	DESCRIPTION	WIDTH	LENGTH	QTY	REMARKS	SOURCE
------	-------------	-------	--------	-----	---------	--------



CME PPC 300 PUMP  
WITH FEED HOPPER

PORTABLE CRUSHER  
ROLLER UNIT

LT™ 2+2  
LeTrieur

DELTA E2  
DESTEMMER WITH  
CUSTOM STAND  
AND INLET HOPPER

DESTEMMER FEED  
CONVEYOR

**ELEVATION VIEW**

SCALE: 3/8" = 1'-0"

APPLICATION

PART NO.	USED ON:	NEXT ASSY

NOTICE: THIS DRAWING IS THE PROPERTY OF P&L SPECIALTIES. IT CONTAINS PROPRIETARY INFORMATION AND MUST BE RETURNED UPON REQUEST. DO NOT CIRCULATE, REPRODUCE, OR DIVULGE TO OTHER PARTIES WITHOUT WRITTEN CONSENT OF P&L SPECIALTIES.

**P&L SPECIALTIES**  
MANUFACTURING THE FINEST STAINLESS STEEL EQUIPMENT  
1650 ALMAR PARKWAY - SANTA ROSA, CA. 95403  
Phone: 707-573-3141 Fax: 707-573-3140  
Web site = www.pnlspecialties.com

TOLERANCES: UNLESS OTHERWISE SPECIFIED		APPROVED BY:	DATE:
ALL DIMENSIONS ARE IN INCHES:		ENGINEERED BY:	DATE:
DECIMAL = X.X ± .030" X.XX ± .010" X.XXX ± .005"		DRAWN BY: GN	DATE: April 28, 2008
FRACTION = ± 1/32" ANGLE = ± 1° FINISHES = 125		SHEET SIZE: 11" x 17"	SCALE: 3/8" = 1'-0"
BREAK ALL CORNERS. REMOVE ALL BURRS AND SHARP EDGES.		PREVIOUS NUMBER:	
		FILE NAME:	
SHEET #:	CUSTOMER:	JOB NUMBER:	DRAWING NUMBER:
1 of 2	THE RANCH		#01

SORTING LAYOUT  
AUTOMATED GRAPE PROCESSING LINE  
ELEVATION VIEW

REV	DATE	NAME	DESCRIPTION
-----	------	------	-------------

REV.  
A